


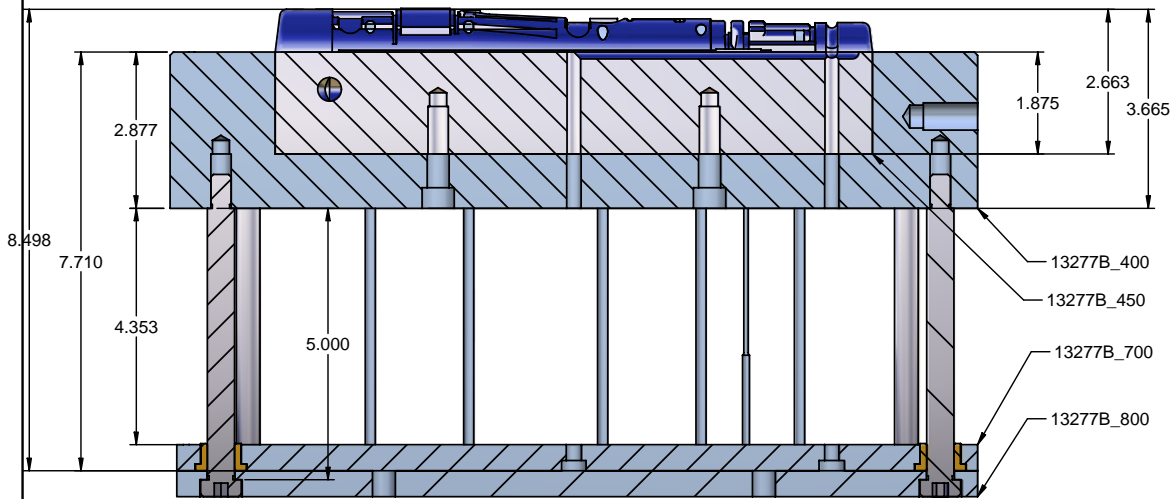
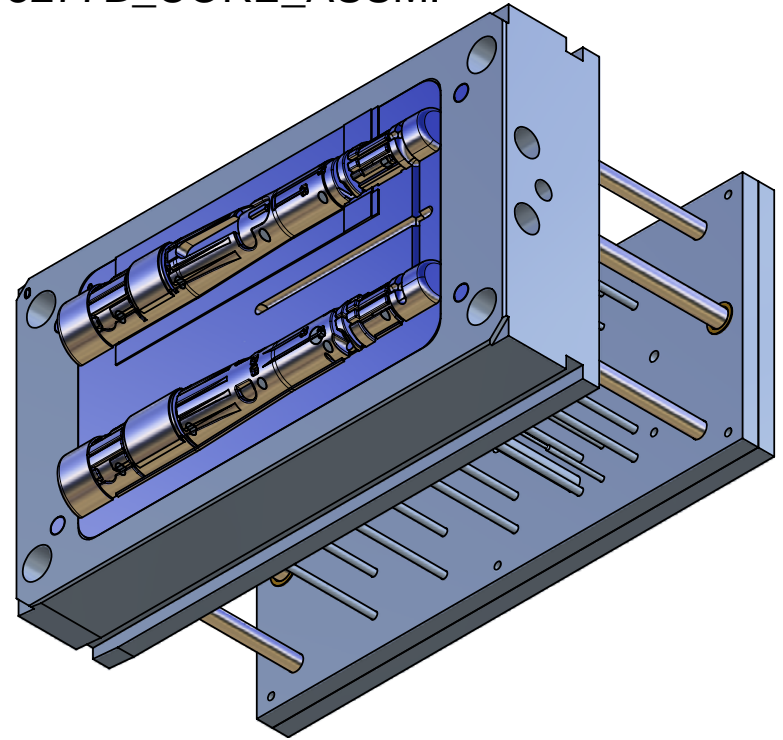
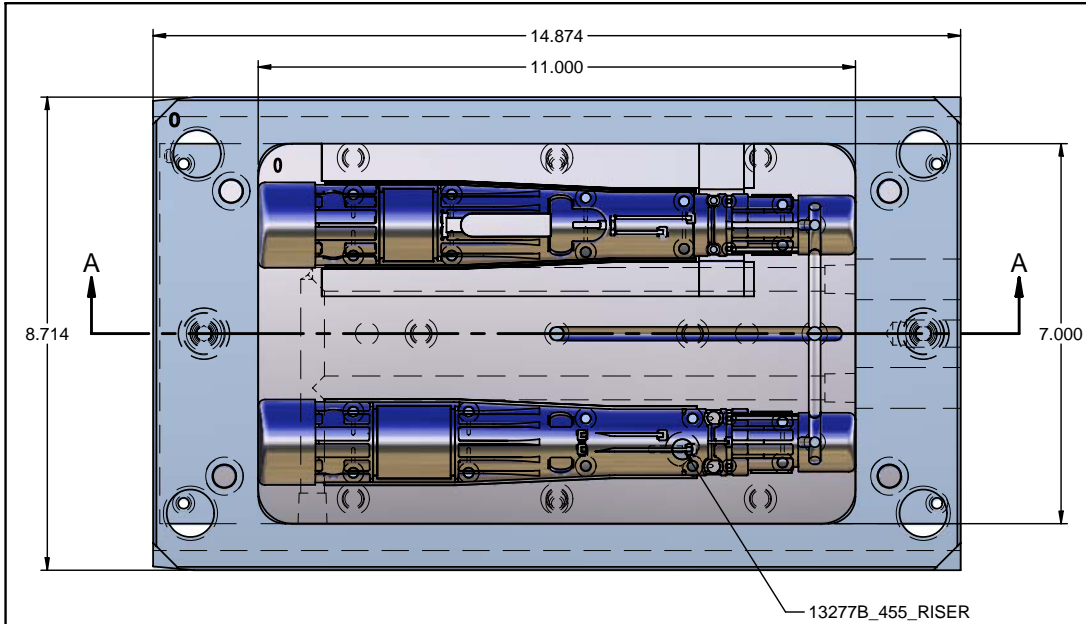
STANLEY HANDLE PN 20H210102




FOR VISUAL
REFERENCE ONLY!
REFER TO 3D
GEOMETRY

NO.	REVISIONS:	BY:	DATE:
FOR ALL UNDIMENSIONED GEOMETRY - REFER TO 3D MODEL			
 Loyshan Miller Industries, Inc. <small>534 North First Street, Cambridge, NH 03275</small>		TITLE:	
		NAME:	SIZE: B PROJECT NUMBER:
DATE:		DO NOT SCALE DRAWING	
SCALE:		SHEET:	

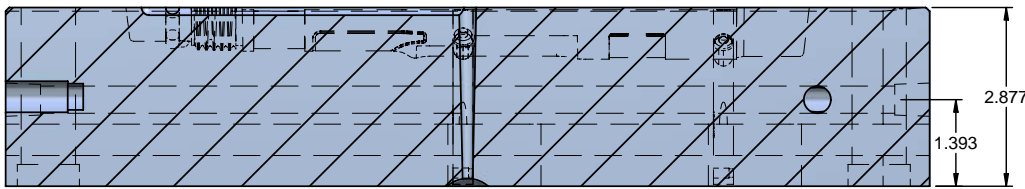
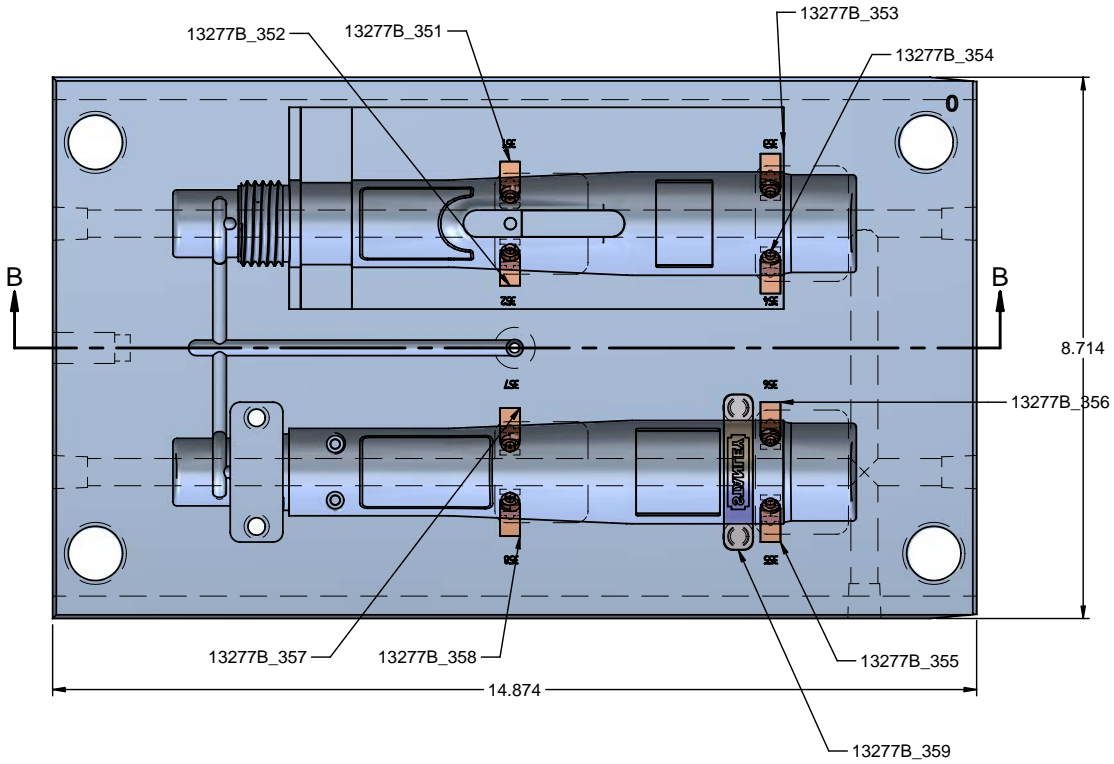
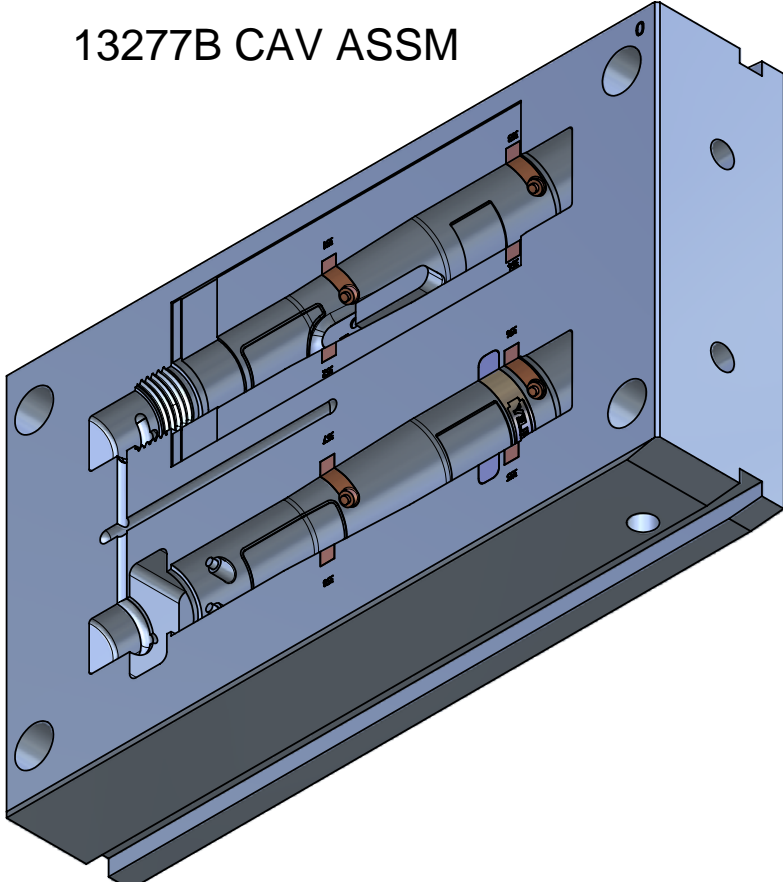
13277B_CORE_ASSM.




SECTION A-A

NO.	REVISIONS:	BY:	DATE:
FOR ALL UNDIMENSIONED GEOMETRY - REFER TO 3D MODEL			
 Laysan Miller Industries, Inc. <small>534 North First Street, Cambridge, NH 03275</small>		TITLE: STANLEY PN 20H210 102, 103	
		NAME: T.LEACH DATE: 3-13-08 SCALE:	SIZE: B PROJECT NUMBER: 13277B_CORE_ASSM.

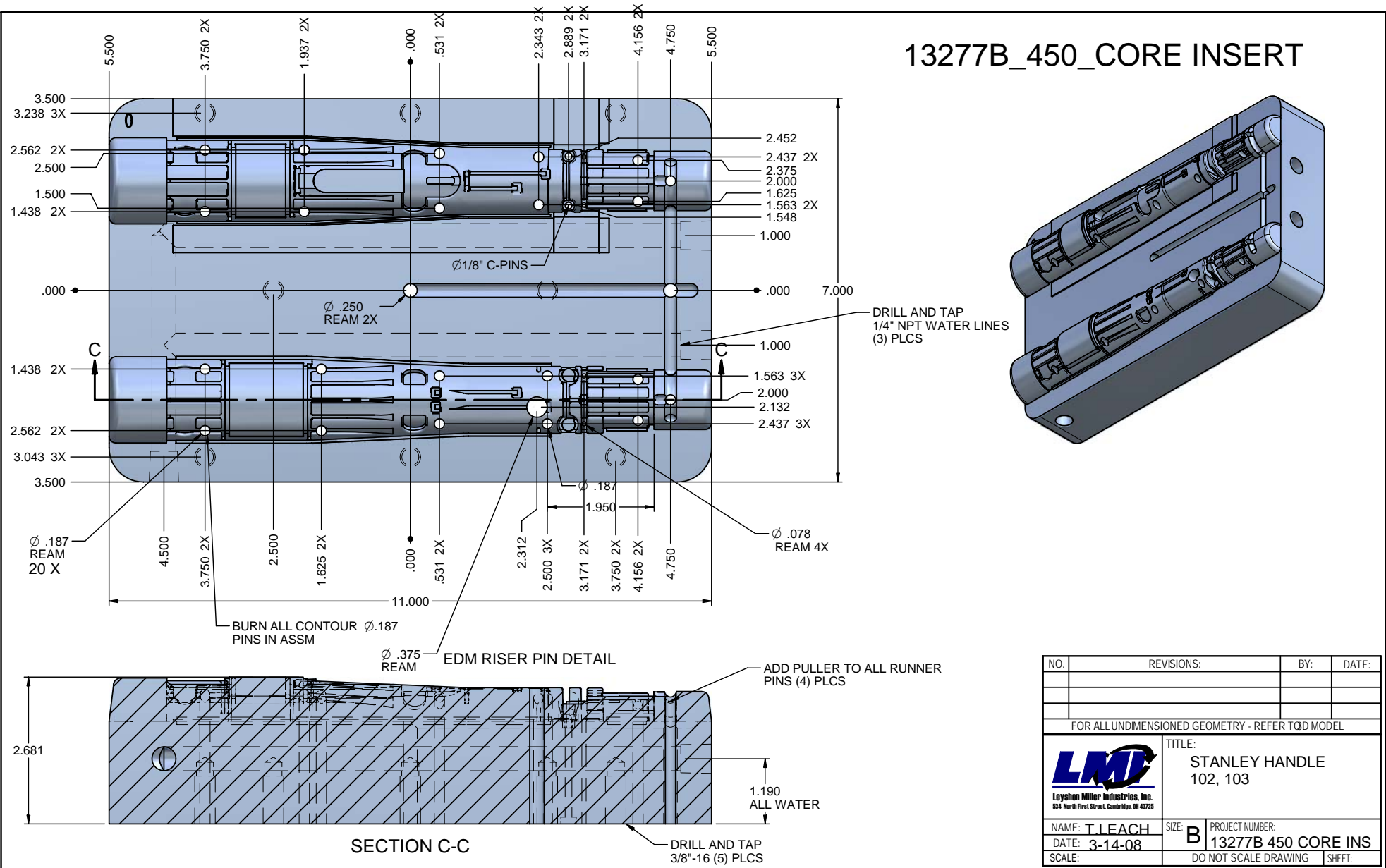
13277B CAV ASSM




SECTION B-B

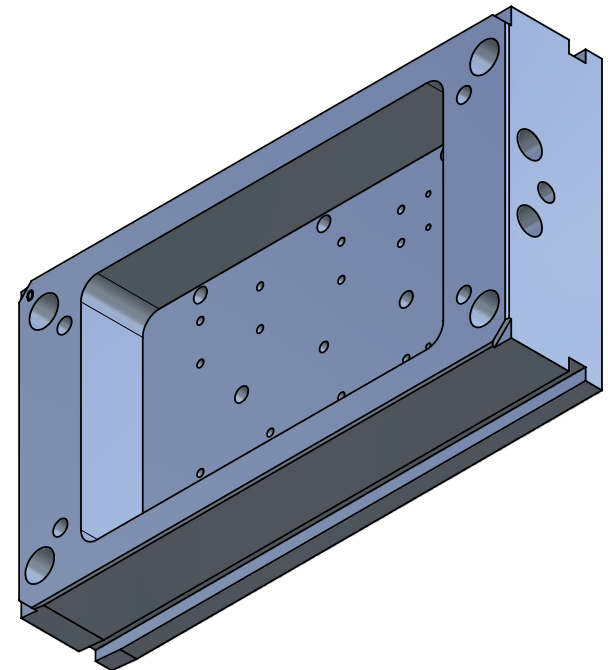
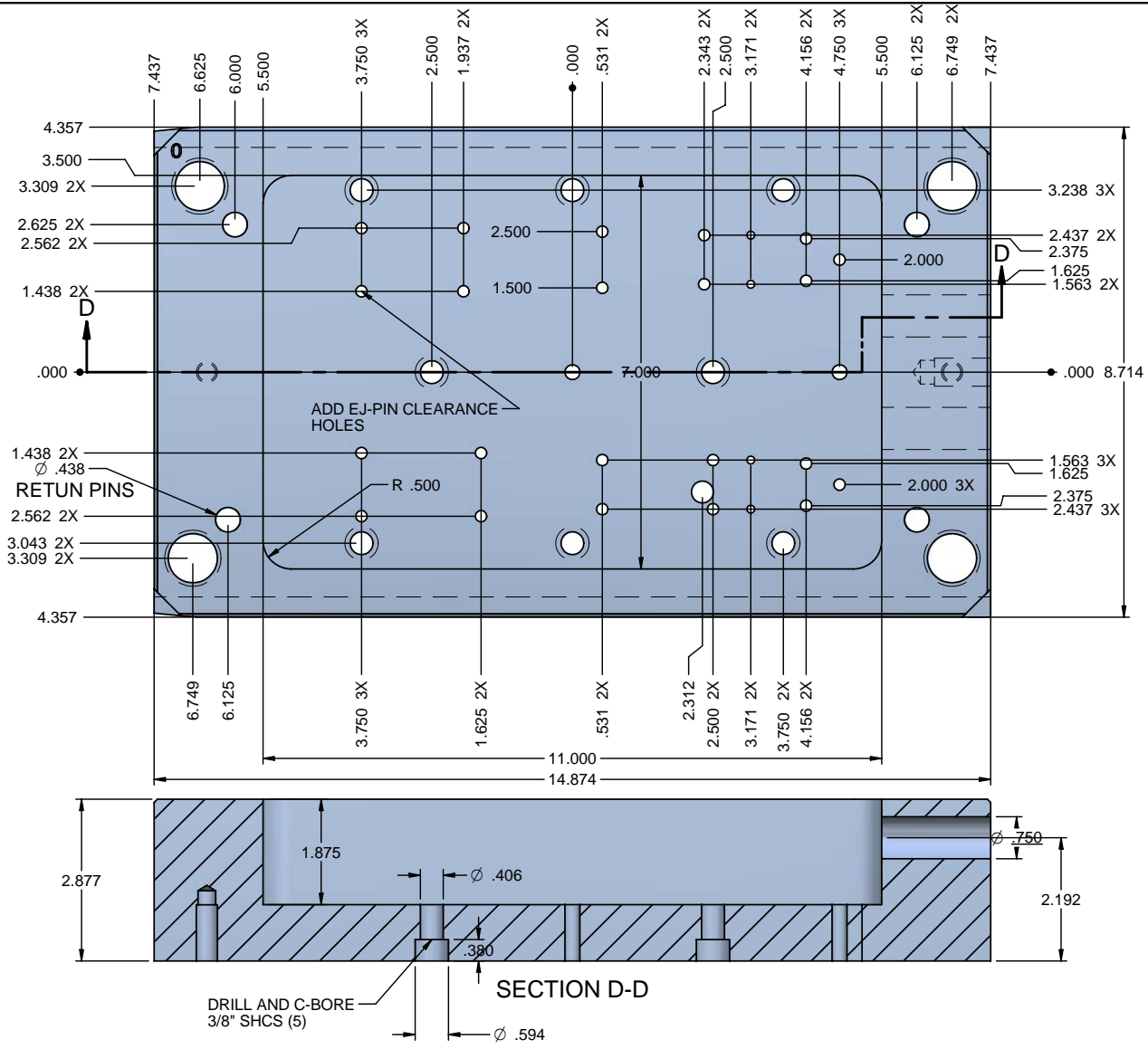
NO.	REVISIONS:	BY:	DATE:
FOR ALL UNDIMENSIONED GEOMETRY - REFER TO 3D MODEL			
 Leyshon Miller Industries, Inc. 534 North First Street, Cambridge, OH 43725		TITLE: STANLEY HANDLE PN 102, 103	
NAME: T. LEACH	SIZE: B	PROJECT NUMBER: 13277B_CAV_ASSM	
DATE: 3-13-08	SCALE:	DO NOT SCALE DRAWING	SHEET:


13277B_450_CORE INSERT



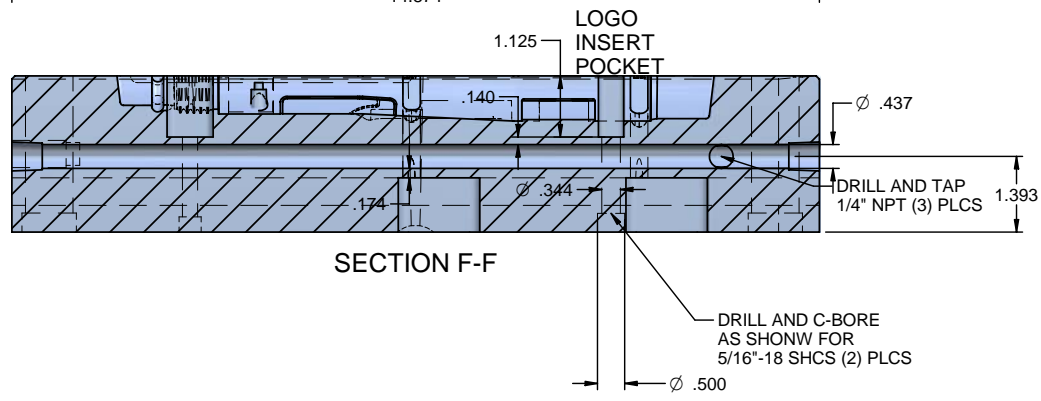
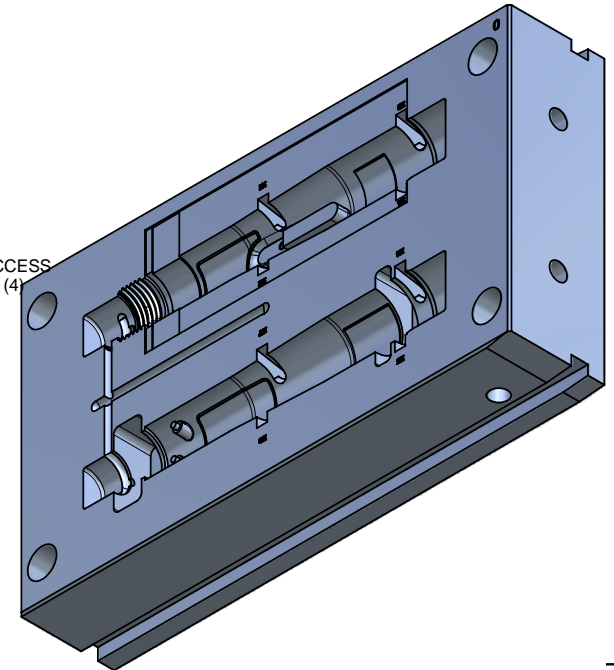
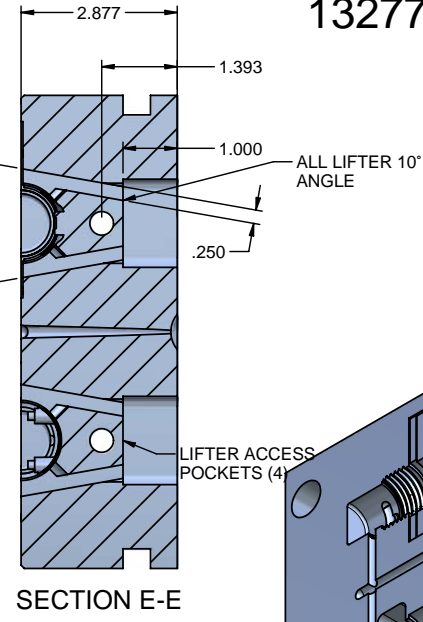
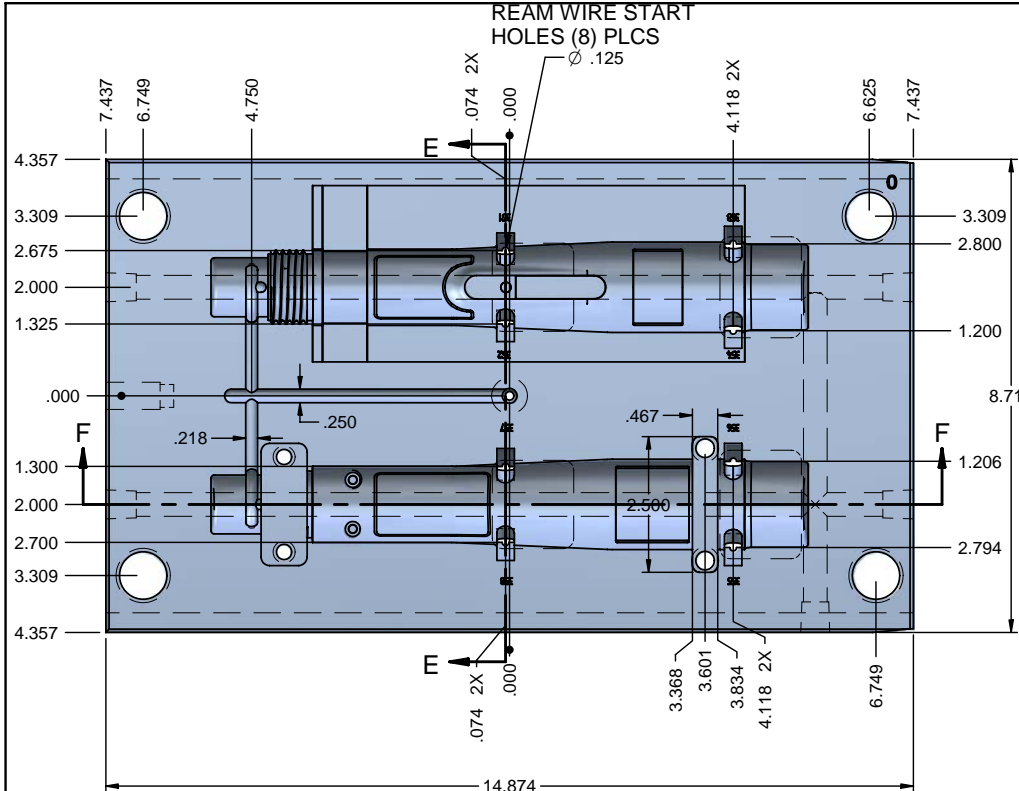
NO.	REVISIONS:	BY:	DATE:
FOR ALL UNDIMENSIONED GEOMETRY - REFER TO 3D MODEL			
 Laysan Miller Industries, Inc. <small>534 North First Street, Cambridge, NH 03275</small>		TITLE: STANLEY HANDLE 102, 103	
		NAME: T. LEACH DATE: 3-14-08 SCALE:	SIZE: B PROJECT NUMBER: 13277B 450 CORE INS


13277_B_400



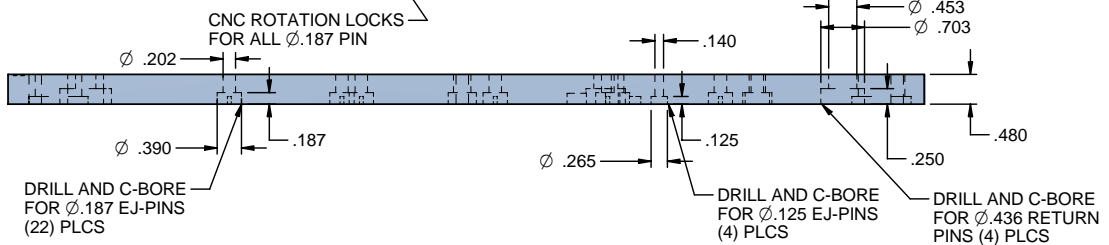
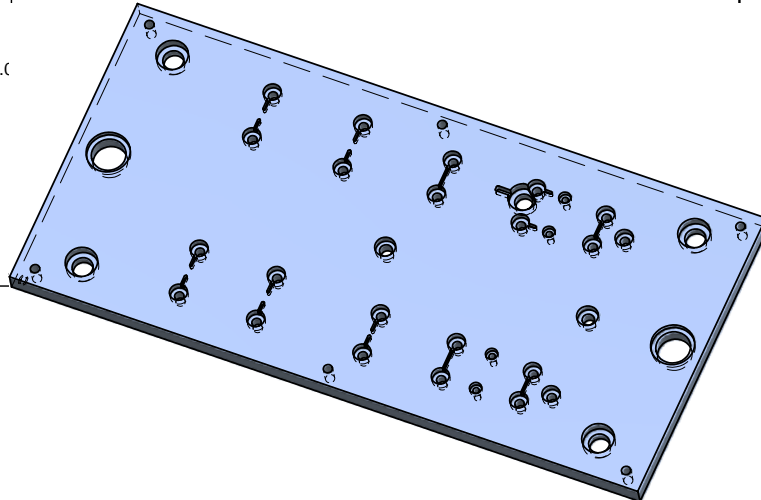
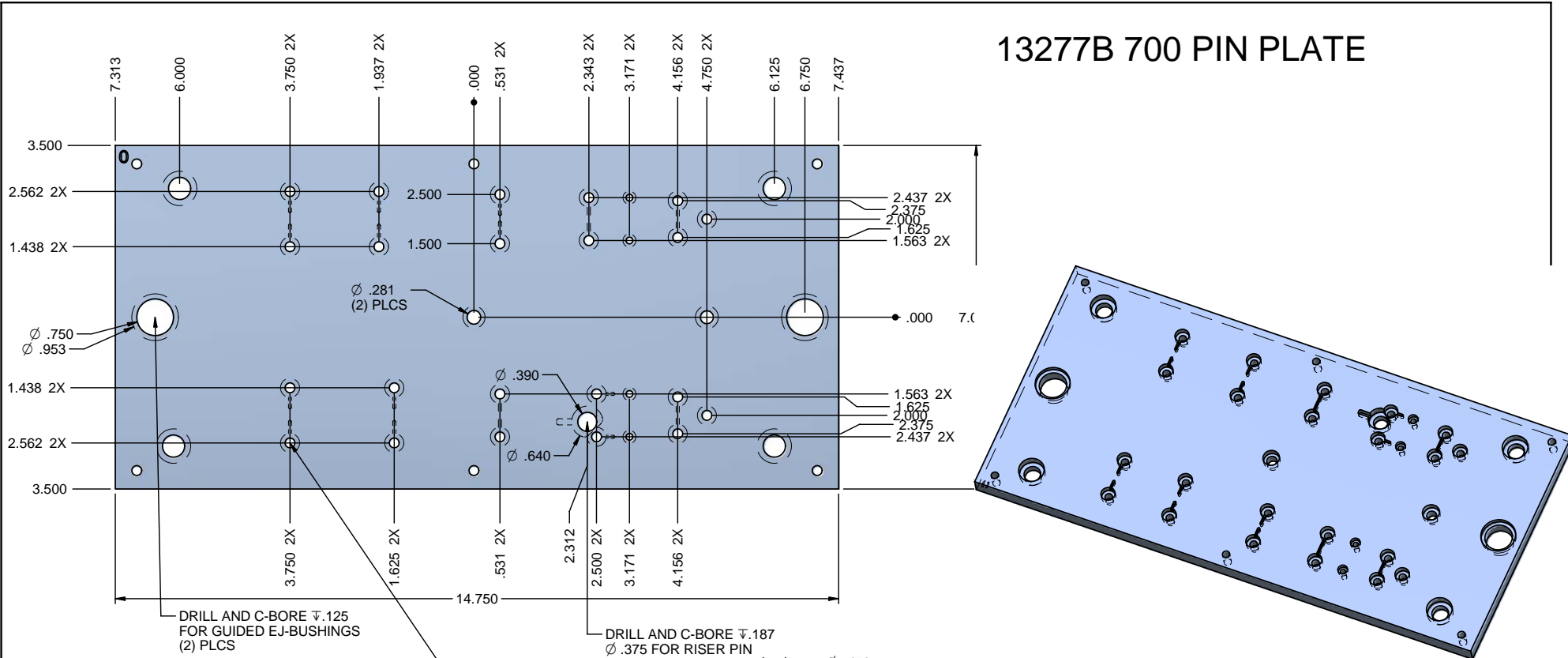
NO.	REVISIONS:	BY:	DATE:
FOR ALL UNDIMENSIONED GEOMETRY - REFER TO 3D MODEL			
 Laysan Miller Industries, Inc. <small>534 North First Street, Cambridge, NH 03275</small>		TITLE: STANLEY HANDLE 102, 103	
		NAME: T. LEACH DATE: 3-14-08 SCALE:	SIZE: B PROJECT NUMBER: 13277B 400 CORE


13277b 300 CAVITY

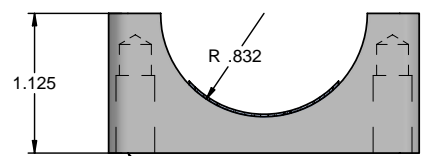
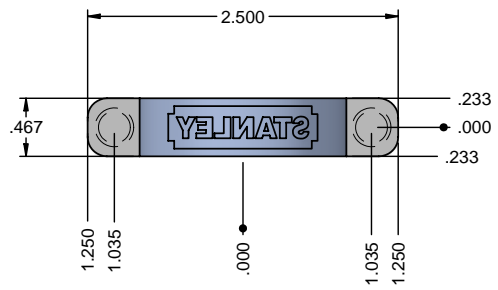


NO.	REVISIONS:	BY:	DATE:
FOR ALL UNDIMENSIONED GEOMETRY - REFER TO QD MODEL			
 Laysan Miller Industries, Inc. <small>534 North First Street, Cambridge, NH 05225</small>		TITLE: STANLEY HANDLE 102, 103	
		NAME: T. LEACH DATE: 3-14-08 SCALE:	SIZE: B PROJECT NUMBER: 13277B 300 CAV

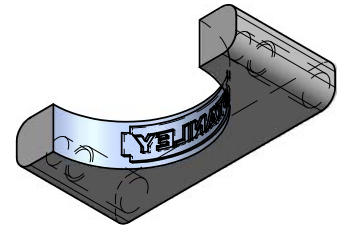
13277B 700 PIN PLATE



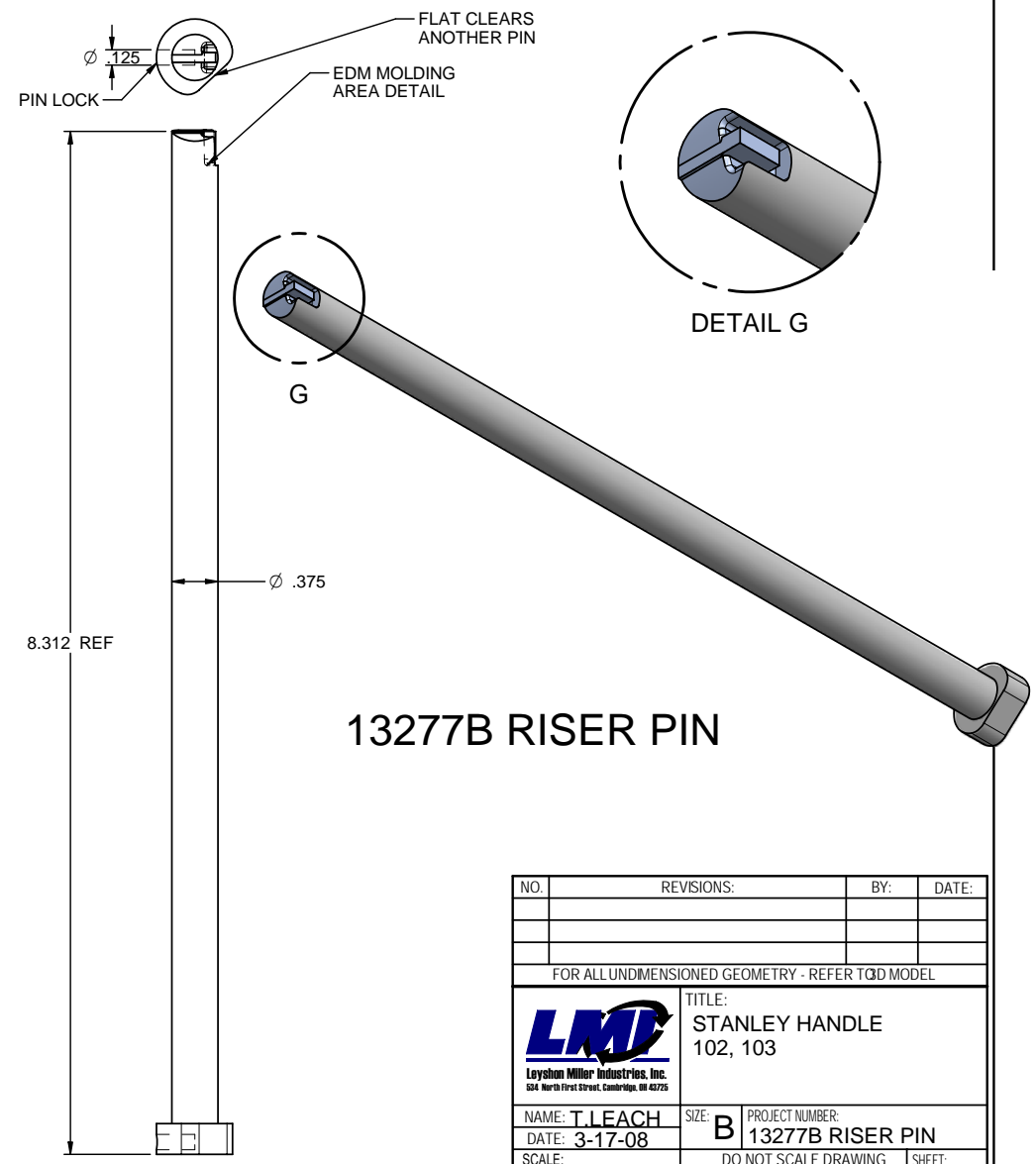
NO.	REVISIONS:	BY:	DATE:
FOR ALL UNDIMENSIONED GEOMETRY - REFER TO 3D MODEL			
 Laysan Miller Industries, Inc. <small>534 North First Street, Cambridge, NH 03275</small>		TITLE: STANLEY HANDLE 102,103	
		NAME: T. LEACH DATE: 3-17-08 SCALE:	SIZE: B PROJECT NUMBER: 13277B 700 PIN PLATE




DRILL AND TAP
5.16-18 (2) PLCS

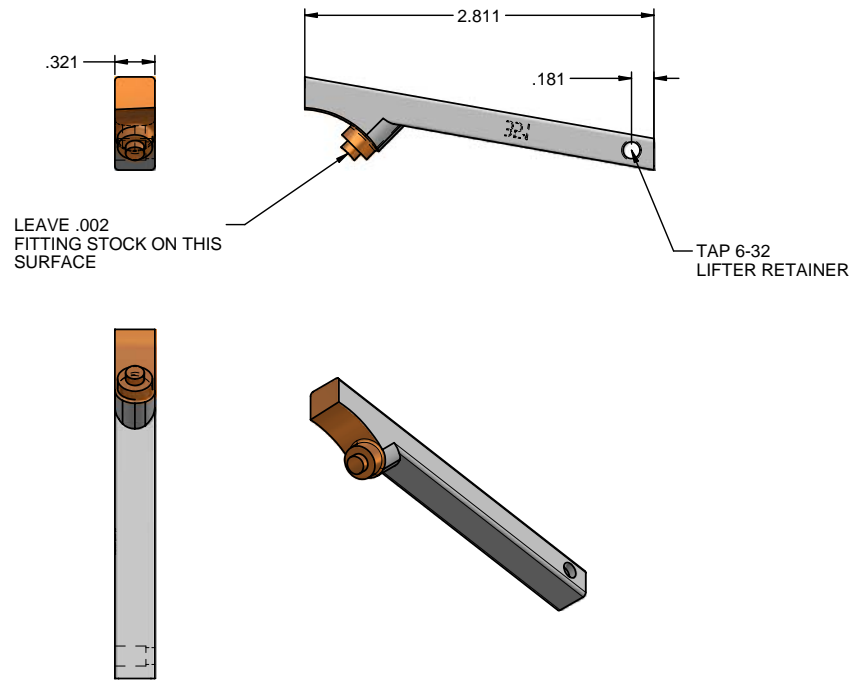


13277B 359 LOGO INSERT



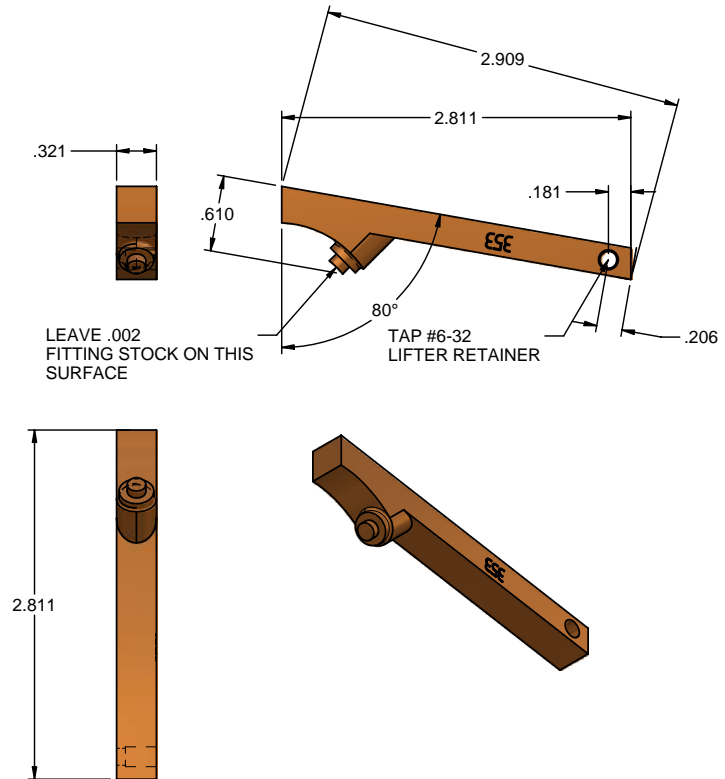
13277B RISER PIN

NO.	REVISIONS:	BY:	DATE:
FOR ALL UNDIMENSIONED GEOMETRY - REFER TO 3D MODEL			
 Laysan Miller Industries, Inc. <small>534 North First Street, Cambridge, NH 03275</small>		TITLE: STANLEY HANDLE 102, 103	
		NAME: T. LEACH DATE: 3-17-08	SIZE: B PROJECT NUMBER: 13277B RISER PIN
SCALE:		DO NOT SCALE DRAWING	SHEET:




13277B 351 SHOWN
352 OPPOSITE

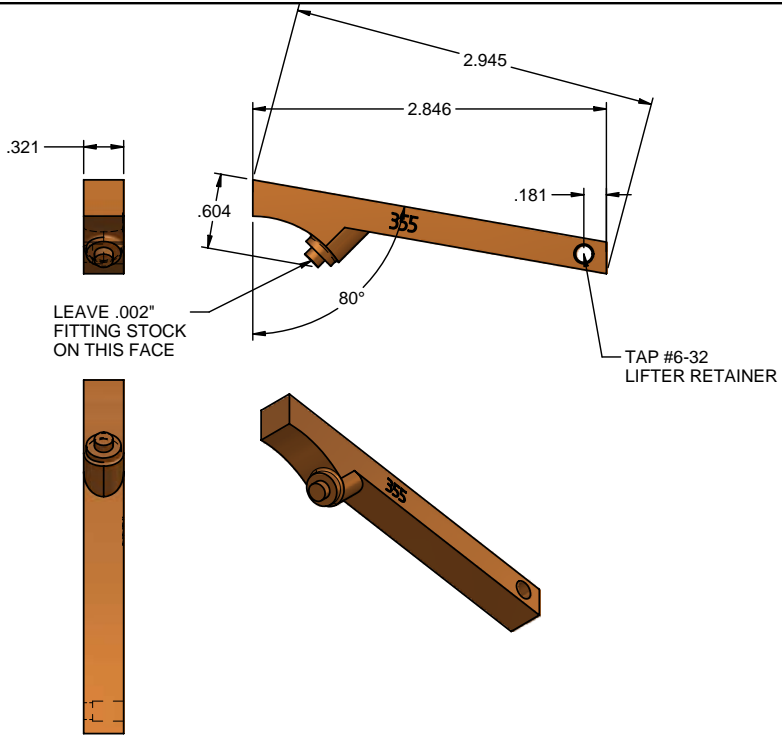
MATL: HH MOLD MAX



13277B 353 SHOWN
354 OPPOSITE

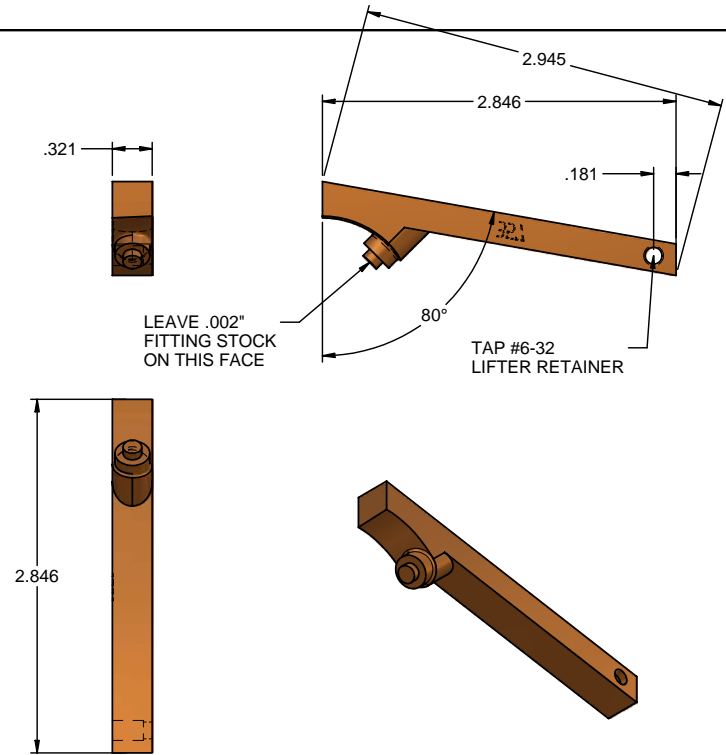
MATL: HH MOLD
MAX

NO.	REVISIONS:	BY:	DATE:
FOR ALL UNDIMENSIONED GEOMETRY - REFER TO 3D MODEL			
 Laysan Miller Industries, Inc. <small>534 North First Street, Cambridge, NH 03275</small>		TITLE: STANLEY HANDLE 102,103	
		NAME: T. LEACH DATE: 3-17-08	SIZE: B PROJECT NUMBER: 13277B 351,352,353,354
SCALE:		DO NOT SCALE DRAWING	SHEET:




13277B 355 SHOWN
356 OPPOSITE

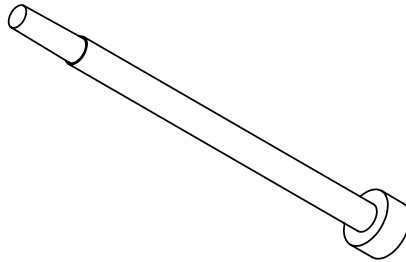
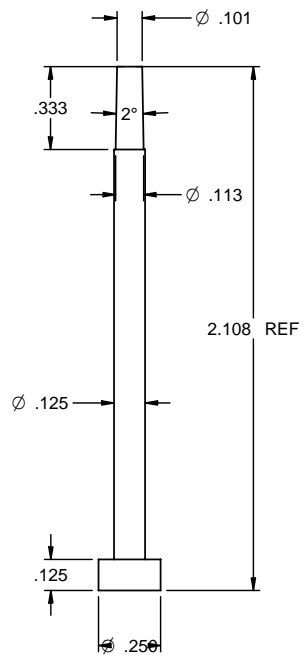
MATL: HH MOLD
MAX




13277B 357 SHOWN
358 OPPOSITE

MATL: HH MOLD
MAX

NO.	REVISIONS:	BY:	DATE:
FOR ALL UNDIMENSIONED GEOMETRY - REFER TO 3D MODEL			
 Laysan Miller Industries, Inc. <small>534 North First Street, Cambridge, NH 03275</small>		TITLE: STANLEY HANDLE 102, 103	
		NAME: T LEACH DATE: 3-17-08 SCALE:	SIZE: B PROJECT NUMBER: 13277B 355,356,357,358
DO NOT SCALE DRAWING			SHEET:



13277b_460 C-PIN
QTY:2 AS SHOWN

NO.	REVISIONS:	BY:	DATE:	
FOR ALL UNDIMENSIONED GEOMETRY - REFER TO 3D MODEL				
 Leyshon Miller Industries, Inc. 534 North First Street, Cambridge, NH 03275		TITLE: STANLEY HANDLE 102, 103		
		NAME: T. LEACH	SIZE: B	PROJECT NUMBER: 13277B MISC
DATE:	SCALE:		DO NOT SCALE DRAWING	SHEET: